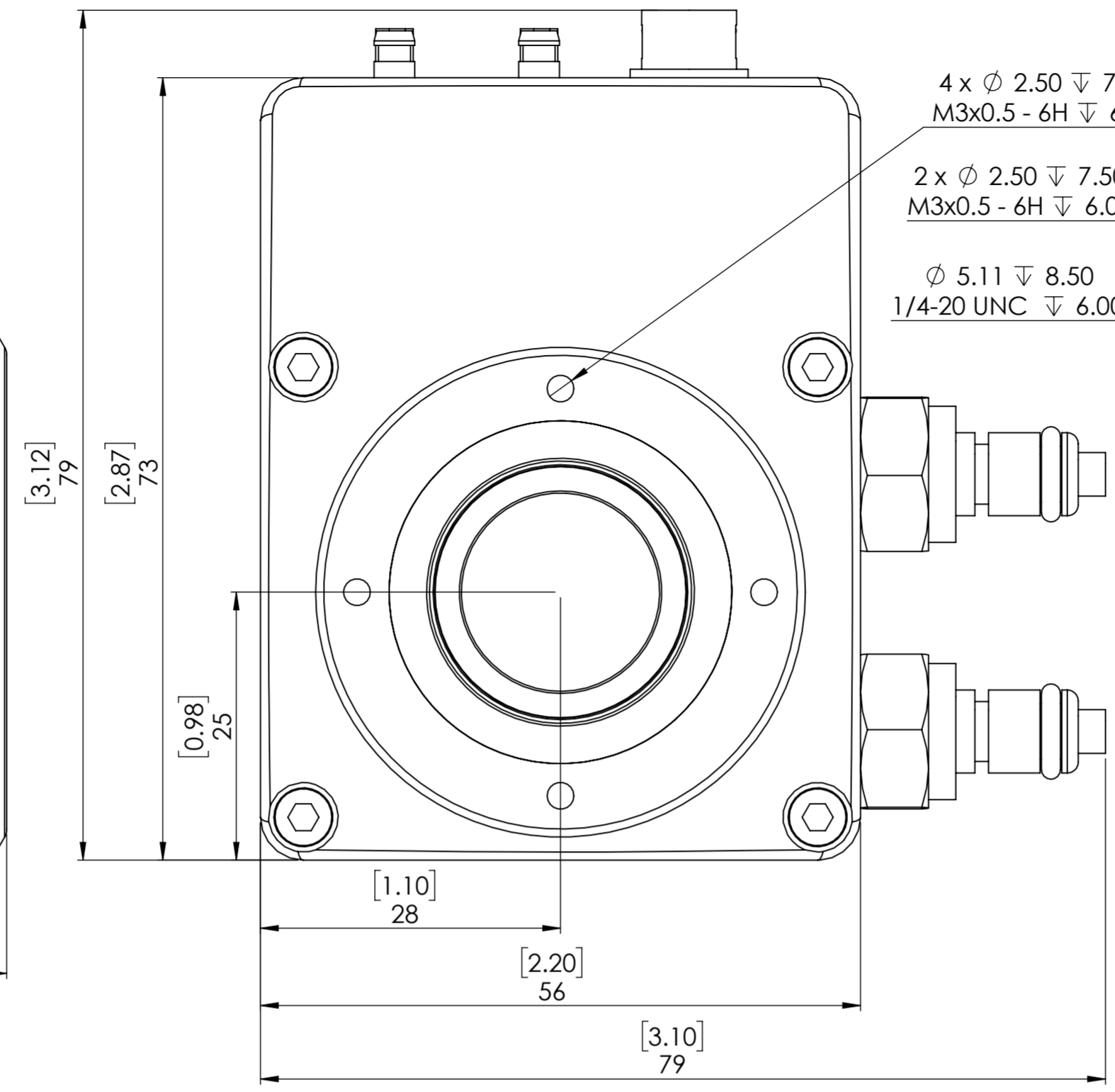


2 x  $\phi$  2.50  $\nabla$  7.50  
M3x0.5 - 6H  $\nabla$  6.00

$\phi$  5.11  $\nabla$  8.50  
1/4-20 UNC  $\nabla$  7.00

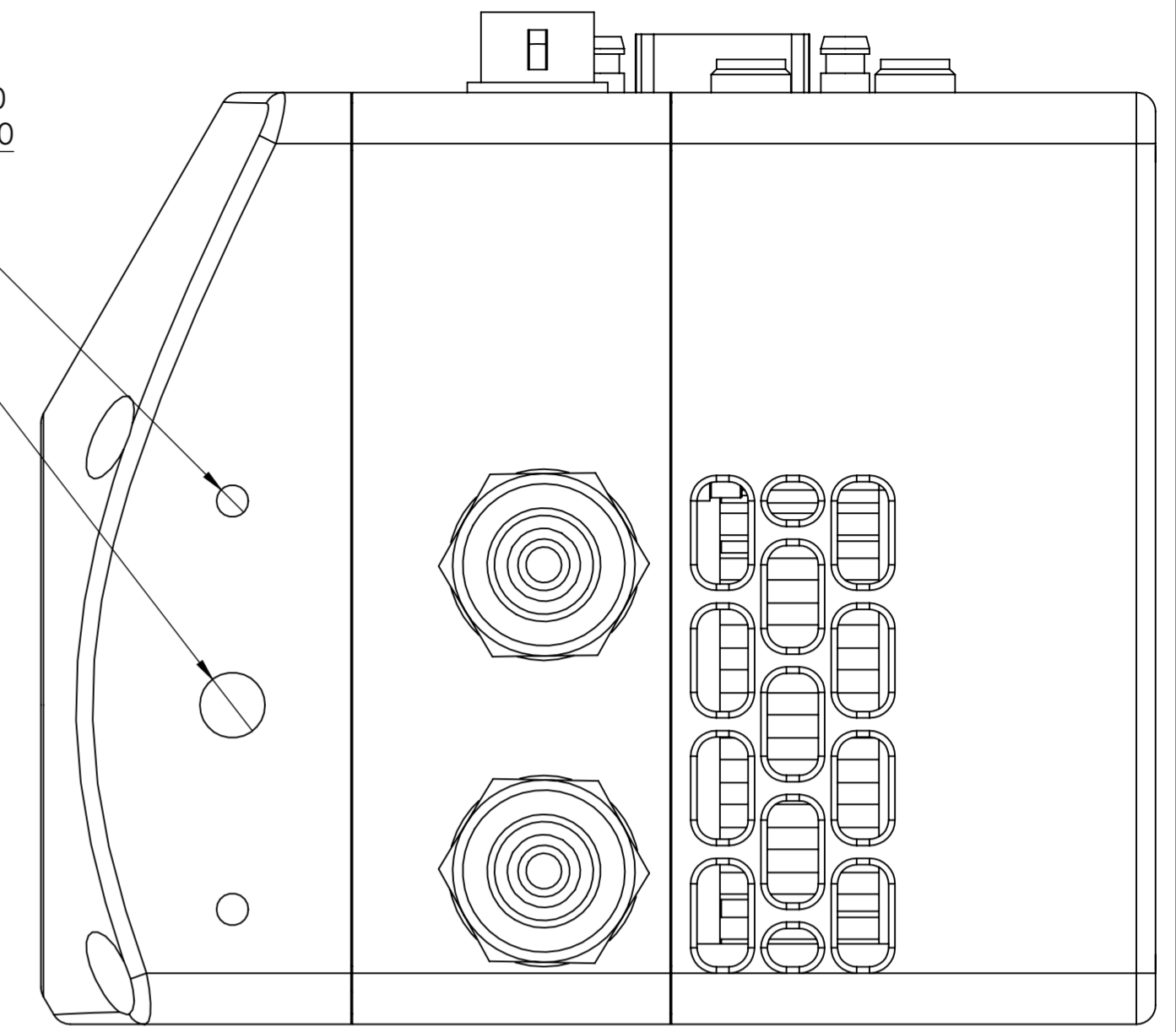
Focal Plane



4 x  $\phi$  2.50  $\nabla$  7.50  
M3x0.5 - 6H  $\nabla$  6.00

2 x  $\phi$  2.50  $\nabla$  7.50  
M3x0.5 - 6H  $\nabla$  6.00

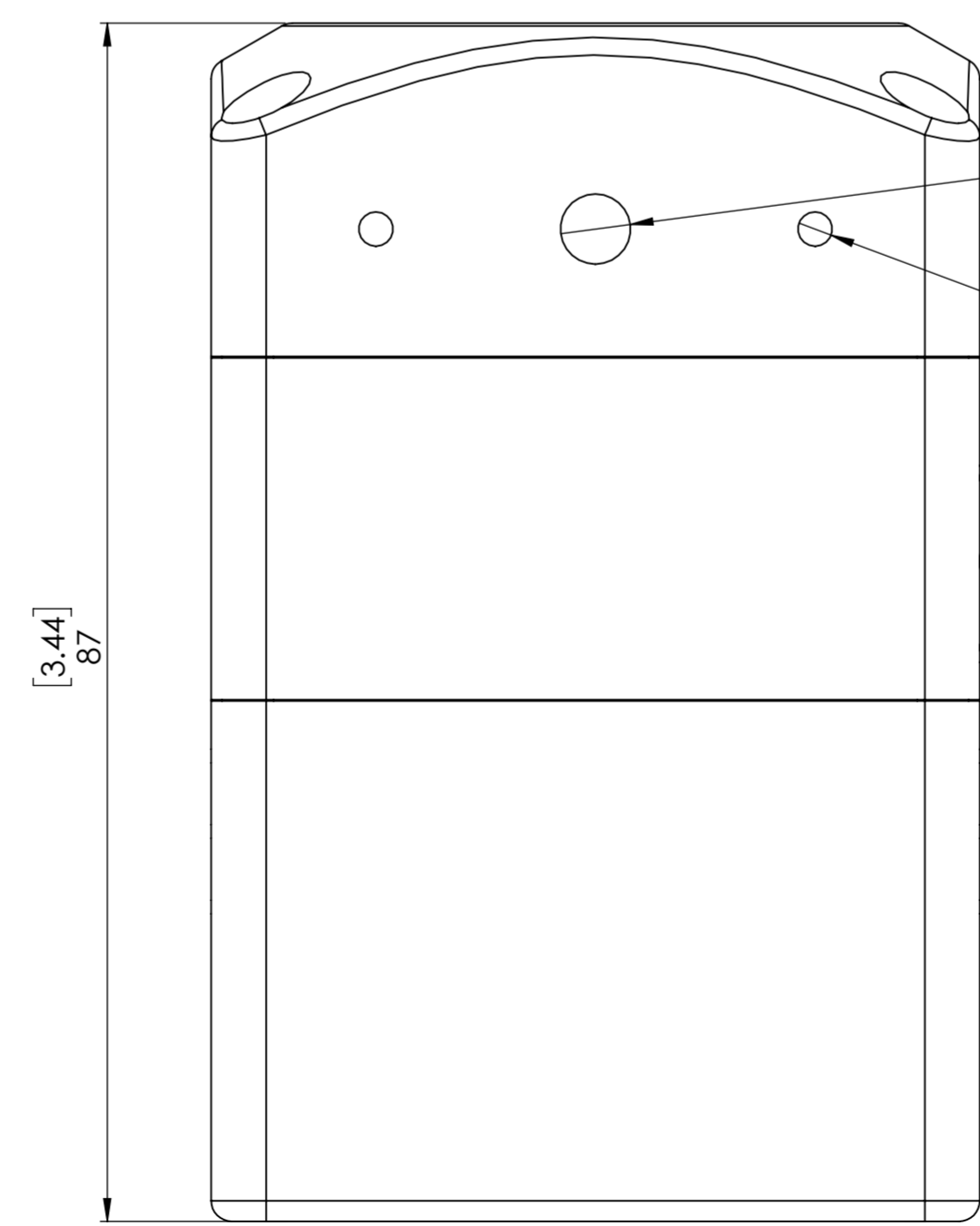
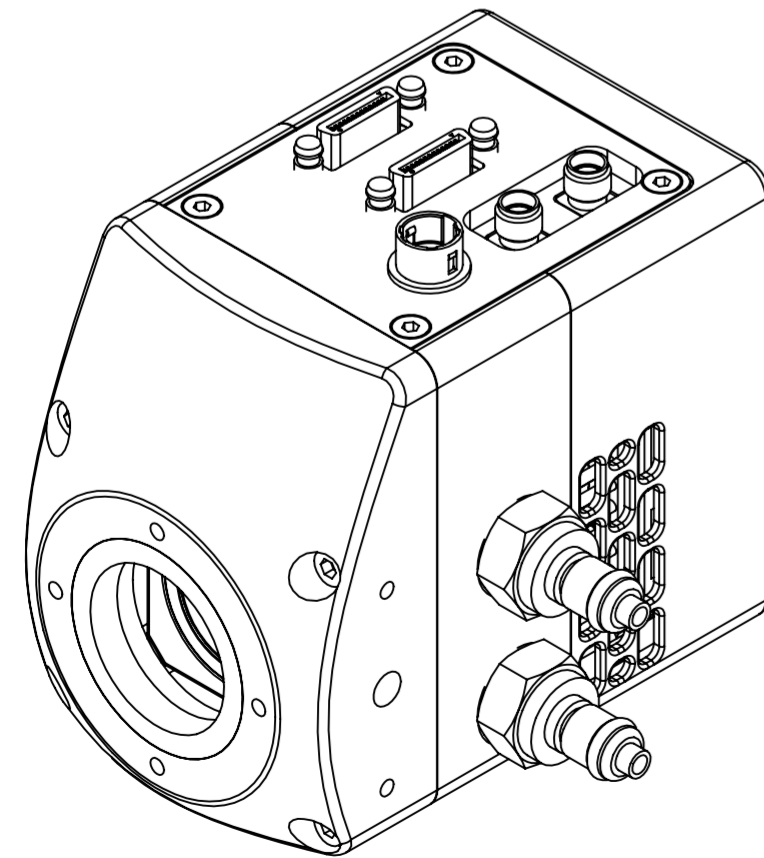
$\phi$  5.11  $\nabla$  8.50  
1/4-20 UNC  $\nabla$  6.00



[1.10] 28

[2.20] 56

[3.10] 79



$\phi$  5.11  $\nabla$  6.50  
1/4-20 UNC  $\nabla$  5.00

2 x  $\phi$  2.50  $\nabla$  7.50  
M3x0.5 - 6H  $\nabla$  6.00

TOLERANCE	DRAWN	NAME	DATE	Raptor Photonics Ltd
	NM		10/07/18	
00 - +/- 0.25 mm 00.0 - +/- 0.10 mm 00.00 - +/- 0.05 mm (key dimensions)	COMMENTS:			
	DIMENSIONS ARE IN MM			
	PROPRIETARY AND CONFIDENTIAL			
THE INFORMATION CONTAINED IN THIS DRAWING IS THE SOLE PROPERTY OF Raptor Photonics Limited. ANY REPRODUCTION IN PART OR AS A WHOLE WITHOUT THE WRITTEN PERMISSION OF Raptor Photonics Limited IS PROHIBITED.				Ninox (NX1.7-VS-CL-1280)
				DWG. TITLE Assembly
				REV. B
				DO NOT SCALE DRAWING SHEET 1 OF 1